

# 1988-90 GM-R/V SERIES WIRING SCHEMATIC

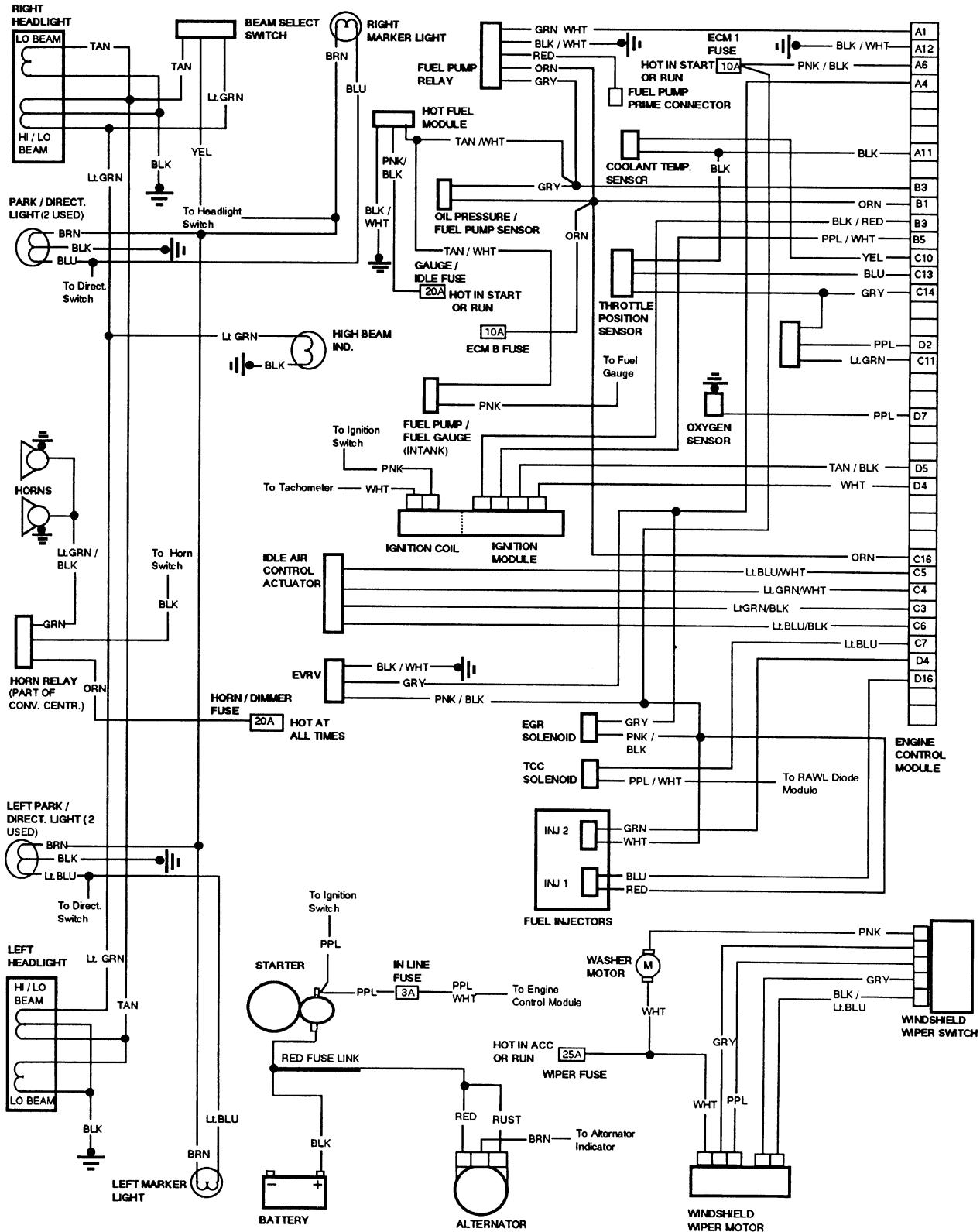


DIAGRAM 5